

# EUP30R-1HMC-0

## 2.4G Constant Current Dimming Driver

### Summary

EUP30R-1HMC-0 is a constant output mode LED driver. The output current can be easily set via DIP switch, This driver could be controlled by the 2.4G remote to dim lightings. Each driver could at the same time be matched and controlled by 10 remotes, and one remote can match unlimited drivers.

### Product Features

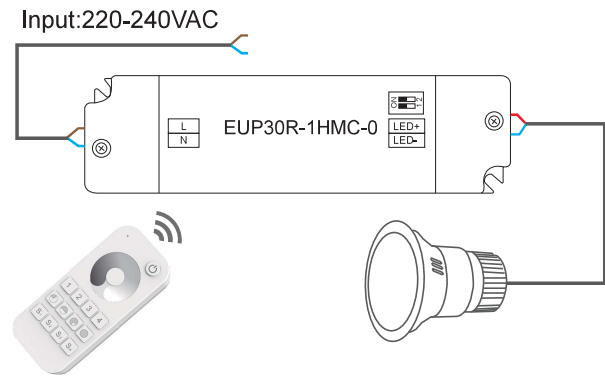
- Single channel output, output current level selectable by DIP S.W.
- Using 2.4GHz RF remote control
- Built-in active PFC function
- Class 2 power supply. Full protective plastic housing
- Dimming effect smooth, no flicker
- Protections: Short circuit, over load, over temperature
- Suitable for indoor LED lighting application, such as down light, spotlights, panel light, and so on

### Technical Parameters

Model	EUP30R-1HMC-0				
Output	Current	550mA	600mA	650mA	700mA
	Voltage	9-45VDC	9-45VDC	9-45VDC	9-43VDC
	Power	25W	27W	29.25W	30.1W
	Current	750mA	800mA	850mA	900mA
	Voltage	9-40VDC	9-38VDC	9-35VDC	9-34VDC
	Power	30W	30.4W	29.75W	30.6W
	Current accuracy	±5%			
	No load output voltage	50VDC			
	Output LF current ripple (< 120 Hz)	<3%			
	Channels	1			
Input	Voltage	200-240VAC			
	Frequency	50/60Hz			
	Current	0.20Amax@230VAC			
	Power factor	>0.95@230VAC, full load			
	THD	<15%@230VAC, full load			
	Efficiency	83%@230VAC, full load			
	Inrush current	Cold start, 15A(twidth =22us measured at 50% lpeak)@230VAC			
Protection	Short circuit	Close output, recovers automatically after fault removed			
	Over load	When the output voltage is exceeded, the output current decreases and, recovers automatically when the load is reduced.			
	Over temperature	Shut down the output, recovers automatically when temp. back to normal.			
Function	Dimming	2.4GHz RF remote control			
Others	Dimension	150*43*29mm (L*W*H)			
	G.W	130g			
	Working temp.	-20°C ~ 50°C			
	Relative humidity	20~90% RH			



### Wiring Diagram



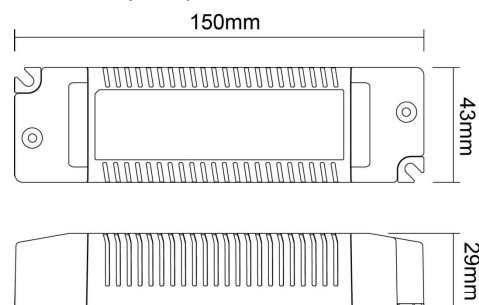
### Current Selection Table

EUP20R-1WMC-0 is a multi-current dimming driver, output current level selectable by DIP S.W., as the following:

Current	DIP-1	DIP-2	DIP-3
550mA	OFF	OFF	OFF
600mA	ON	OFF	OFF
650mA	OFF	ON	OFF
700mA	ON	ON	OFF
750mA	OFF	OFF	ON
800mA	ON	OFF	ON
850mA	OFF	ON	ON
900mA	ON	ON	ON

Remark: Function default setting is: 550mA (@switch are all OFF state)

### Dimension(mm)



**2.4G Remote control (Optional)**



**·Match code and grouping :**

The remote control can be used after the remote match the code with the led driver, the method is as following:  
 Choose the led driver that you want to divide the group, then turn off the power for 10 seconds, then turn on the power switch, at the same time when you turn on the power (in 3 seconds), press the button "Group ON" of the group you want. The lights connecting to the driver will flick for 3 times, and then this group is set successfully. The other groups can also be set by the same method.  
 Remark: One led driver can only match one group of the same remote, but one remote group can match countless led drivers, and one led driver can match 10 remotes.

**·Clear code and regroup:**

If the room layout are changed, or you want to make a little adjustment upon your fond, then you may want to change the previous groups. Before regrouping, you need to clear the code , the method is as following:  
**Full clear code:** Choose the led driver you want to clear the code (If more than one driver needs to be clear, the operation is performed at the same time.) , turn off the power for 10 seconds, then turn on the power again.Within 3 seconds, press the " All ON " button quickly for 6 times, the lamp connected to the LED driver will flick quickly for 6 times, then the code is cleared successfully, and it can't be controlled by all the remote control.  
**Group clear code:** If you do not need to regroup, only clear code for a group of remote control, choose the led driver you want to clear the code (If more than one driver needs to be clear, the

operation is performed at the same time.) , turn off the power for 10 seconds, then turn on the power again. Within 3 seconds, press the corresponding "Group ON " button quickly for 6 times, the lamp connected to the LED driver will flick quickly for 6 times, then the code is cleared successfully, but it can be controlled by other remote controls.After the code is cleared, the method of setting the group is totally the same as the principle of "matching the code and grouping"

**Remark:** The remote should not put in the area with large-scale metal or near strong electromagnetic wave region;otherwise the communication distance will be seriously affected.

**Caution**

- 1.The product shall be installed and serviced by a qualified person.
- 2.This product is non-waterproof. Please avoid the sun and rain. When installed outdoors please ensure it is mounted in a water proof enclosure.
- 3.Good heat dissipation will prolong the working life of the controller. Please ensure good ventilation.
- 4.Please check if the output voltage and current of any LED power supplies used comply with the requirement of the product.
- 5.Please ensure that adequate sized cable is used from the controller to the LED lights to carry the current. Please also ensure that the cable is secured tightly in the connector.
- 6.Ensure all wire connections and polarities are correct before applying power to avoid any damages to the LED lights.
- 7.If a fault occurs please return the product to your supplier. Do not attempt to fix this product by yourself.